

DELAWARE LEHIGH AMATEUR RADIO CLUB Inc.
SEPTEMBER 2019



W3OK

CORRAL

**Club Meeting September 5th, 7:30PM At the
Bethlehem Township Community Center**

SEPTEMBER MEETING PROGRAM

**“Drones and Practical Applications”
AI / W3CE**

AUGUST PROGRAM REPORT

“Info Age & Marconi Belmar Wireless Site”



Raymond Chase / KA2JQG



You shop. **Amazon gives.**

Amazon will donate 0.5% of the price of your eligible purchases to the Delaware-Lehigh Amateur Radio Club, Inc.

To sign up, go to **AmazonSmile** <https://smile.amazon.com/>.

You will be prompted to select a charitable organization.

Enter **Delaware-Lehigh Amateur Radio Club Inc.**

Bookmark the link and support us every time you shop!

SEPTEMBER QUICK CHECK CALENDAR

*

SUNDAY	MONDAY	TUESDAY	WEDNESDAY	THURSDAY	FRIDAY	SATURDAY
1	2 LABOR DAY	3	4 DLARCC Net (W3CE)	5 DLARC Meeting 7:30 PM	6 VE SESSION	7
8	9	10	11 DLARC Net (KC3II)	12	13	14
15	16	17	18 DLARC Net (N3SQD)	19	20	21
22 N3SQD Ham Picnic	23 First Day of Autumn	24 DLARC BOARD MEETING	25 DLARCC Net (KB3CTX)	26	27	28
29 ROSH HASHANAH	30					

SEPTEMBER CONTESTING AT THE OK CORRAL



- September 7 & 8 – IARU Region 1 Field Day - SSB
– RSGB SSB Field Day
- September 14 & 15 – WAE DX Contest – SSB
– Russian Cup Digital Contest
- September 21 & 22 – ARRL 10 GHZ and Up Contest
– All Africa International DX Contest
- September 28 & 29 – CQ WW DX Contest - RTTY
– UKEICC 80m Contest



VE TEST SESSION

There will be a test session this month on September 6th, at 7 PM at the Northampton County 911 center. Pretest registration is required. Contact John / NT3P at nt3p@arrl.net

AUGUST MEETING MINUTES

A General Meeting of the Delaware-Lehigh Amateur Radio Club was held on Aug. 1, 2019 at the Bethlehem Township Community Center, Bethlehem, PA.

Vice President, Bill Connelly, W3MJ, called the meeting to order at 7:30 p.m.

President's Report:

1. The **National Museum of Industrial History** has a page on its website under the "Events" tab called "Ham Radio Live" that highlights the Delaware-Lehigh Amateur Radio Club (<http://nmih.org/event/ham-radio-live-2/>)
2. The Board has decided to enroll the Club at **RestaurantDepot**, located on Schoenersville Road north of Rte. 22. Because of our non-profit status, we will be able to purchase quality food and beverages for Club activities at a discount. They will provide us with three membership cards, which will be assigned to various Club members. If you are making a purchase on behalf of the Club, you may borrow the card from one of the card holders. The Club does not get billed for the charges. The purchaser pays for the items and receives a discount, then submits the bill to the Club for reimbursement.

Member Announcements:

Dean Guth, AB3BD, reminded members that National Museum on the Air Day is Sept. 21st. The National Museum of Industrial History has invited us to participate, either at your home station, the Club station, or at the museum. The museum will use the call sign N3M and has designed a special QSL card for the event. The Museum will be open from 9 a.m to 6 p.m.

Secretary's Report: JoAnn Schaffer, ND3JJ, announced that the Minutes for the July 2019 General Meeting were emailed to the membership on July 25, 2019. Dean Guth, AB3BD, moved to accept the Minutes; it was seconded, and so moved.

Treasurer's Report: The Secretary read the Treasurer's report for June 2019. Dean Guth moved that the Treasurer's Report be accepted; it was seconded, and so moved.

Committee Reports:

By-Laws: Chair Pete Varounis, NL7XM, announced that the Committee will present the proposed by-laws changes shortly.

Club Station: George Wieland, N3SQD, reported that there is something wrong with the big beam antenna, and we need to determine if the rotator should be pulled off. Pictures have been taken and George will do more testing. He will then talk to Charlie Adams, K3HKZ, about getting someone to climb up for repairs.

Education: Bob Green, KE3AW, announced that Tech and General classes will start on Tuesday, Sept 3.

Field Day: Chair Jim Matlack, KC3MKP, thanked everyone who came out for Field Day; Ben Ramig, KB3CGTX, has submitted the Club's points, which totaled 2300. He noted that we need to improve point record keeping, and new plans will be in place for the 2020 Field Day.

Membership: Membership Chair Terry Swinney, KC3JHT, moved that David Jenkins, KC3BFO, be accepted for membership in the Club. It was seconded by George Wieland, N3SQD, and so carried

Nominating: John Barbaz, NT3P, announced that there are openings for Directors, Secretary and Treasurer. Please contact him, Mark Bond, W3MB, or David Blankenship, N3EYT, if you would like to take a leadership role in the Club.

New Business:

George Wieland met with Jeff Steiert, Deputy Director for Systems of Northampton County Emergency Management Services. The County has discontinued Project Lifesaver, which utilized a radio direction finder system to locate missing people with dementia. The County has offered to donate the Doppler System DDF 6002 to the Club. Although it is a large piece of equipment, it could prove useful to us, e.g., it would help us track down anyone keeping the repeater open. We are in the process of completing the paperwork.

Adjournment: There being no further business, the meeting was adjourned at 7:58 p.m.

Minutes submitted by

Secretary, JoAnn Schaffer, ND3JJ

DLARC AMATEUR RADIO LICENSE CLASSES

de Bob / KE3AW

The Fall Series of Amateur Radio Classes for prospective hams and licensed hams wishing to upgrade to the General license, will begin on Tuesday, September 3 at the 911 Communication Center. It is not too early to register for the 9 Tuesday evening classes, 7 pm. – 9 pm.

Please pass the word to family and friends. Anyone interested in registering, or with questions, should contact me at KE3AW@arrl.net or phone 610.432.8286.BDA

We will register people onto the roster on a first-come, first-served basis. If we go over 25 again for the Technician Classes we will offer priority placement on the Spring, 2020 list.

NEW MEMBER

The DLARC is continuing to grow, so be sure to greet our new member, shake his hands, and give him a warm welcome to our club. The newest member is David Jenkins / KC3BFO.

MONTHLY BRAIN TEASER

"A special prize awaits the first Club Member to submit the correct answer to this month's Brainteaser to the Pete / NL7XM, *only*, at nl7xm@arrl.net The winner must be present at the next Meeting to receive it, or it goes unrewarded. Officers, Board members, Newsletter staff, and Brain Teaser Authors are not eligible to win."

de Pete / NL7XM



AUGUST BRAINTEASER ANSWER

The Letter "R"

The winner is Doreen / K3PDL



SEPTEMBER BRAINTEASER.

Soon as I am made, I am sought with care,
for one whole year consulted.
That time elapsed, I am thrown away and insulted.
What am I?

PENNSYLVANIA QSO PARTY 2019

October 12 & 13 are the dates for the 2019 PA QSO Party. As in the past the DLARC is hoping to regain its position as the number one club in the state. Now is the time to check your station and antennas, so you are prepared for the party. The Norm Zoltak / K3NZ award for the highest scoring single operator station will be awarded again this year.

THE DLARC K3NZ PAQSO AWARD



This award is named in honor of Norm Zoltack, K3NZ and will be awarded to the club individual earning the highest score in the club during PAQSO party. Norm was a super contester and a guiding force in his 40 plus years with the DLARC.

Requirements:

1. You must be a single operator.
2. You must apply your score to the DLARC's aggregate.
3. Portable, mobile, rover and home operations count.
4. You can operate from any county.

EMMAUS HALLOWEEN PARADE - 2019

An annual enjoyable and very helpful public service event, the Emmaus Halloween Parade is scheduled for the evening of Saturday, October 19 (Rain date Sunday, October 20). Annually DLARC assists this activity by providing communications during the entire parade.

We will need 16 amateur radio operators to properly cover this event, in which the hams are in their vehicles, using 2-meter rigs, interspersed between parade units throughout the parade. This allows us to have eyes and ears from beginning to end, all along the parade route. We will watch for any problems, including breaks in the parade progression, rowdy behavior, etc., and report them to net control where the proper authorities will be contacted to correct the problems and keep the parade moving along safely.

After the parade we'll have our traditional Dutch Treat social gathering at a local restaurant. This Halloween Parade has been successful for about two decades, and is recognized by the Emmaus Halloween Committee as a prime reason for smooth operation of the parade.

Anyone interested in participating in this year's parade, please contact Bob, KE3AW@arrl.net or 610.432.8286.

Bob / KE3AW

W3OK CLUB STATION

Better known as the "Milkhouse" is open Wednesdays' 6 PM until ??, and Saturdays' 9:30 AM until ??. Our repeater 146,700 is always on ... So just call W3OK and check.

de Les / W3LES

WEDNESDAY EVENING DINNER CLUB

Don't forget the Wednesday Evening Dinner Club. Club members get together for dinner prior to heading up to the "Milkhouse" for the weekly gathering. Listen to the Wednesday Net for the following weeks location. Each week is a different location. Also it is posted on the club FORUM. A fun get together!

INFOAGE & THE MARCONI BELMAR WIRELESS SITE

Camp Evans is a very important place in the history of (wartime) technology, Many important inventions were made or applied here to protect the nation."

Radar. Communications and electronic intelligence systems. Jamming equipment, laser range finders and more. The secret history of World War II. There are rooms devoted to the development of radar. Displays on communications satellites and hurricane tracking. The Vintage Computer Museum, with massive vintage mainframes and early computer-inspired toys.

During World War II, Camp Evans was the Army's radar home and Fort Monmouth's "secret laboratory," where engineers and scientists worked in top-secret anonymity to protect the country against the German and Japanese forces.

But the complex was vital well before then. In the early 1900s, Camp Evans was the site of the Marconi Telegraph Co.'s Belmar Station, the largest and last intact station of the first world-encircling wireless network.

During World War I, the base played an important role in trans-Atlantic communications. In 1946, Camp Evans' Project Diana opened the space age, by reflecting radar signals off the moon. In 1960, it became the birthplace of satellite-based hurricane tracking. In the late 1990s, Camp Evans was shut down, and an effort was launched to preserve 16 buildings on a 37-acre portion of the 200-acre site.

World War II bomber radios and telephone repeaters. Antenna tuners and dynamotors.

There's even a shipwreck museum, with cannons from the 1880s and a life vest from the SS Morro Castle, which ran aground in 1934 off Asbury Park, and the gyropilot from the Andrea Doria, which sank in 1956.

LOOKING FOR DLARC AMATEUR RADIO OPERATORS TO WORK THE DEMO HAM STATION IN THE NATIONAL MUSEUM OF INDUSTRIAL HISTORY.

On Exhibit through November 3, 2019

Sign up to operate the amateur radio station at the National Museum of Industrial History

The demonstration ham shack is in the National Museum of Industrial History, and is available to any licensed amateur radio operator to operate (within license limitations). In the corner of that room is a great collection of radios. They range from crystal sets through radios through the decades with cathedral wooden cabinets, console units, plastic table radios, small transistor pocket radios, and boom-boxes. There are over 75 units there to stir up memories, or learn about them.

The demonstration ham shack that we are operating is in the corner of the room, and is available to any skilled licensed amateur radio operators to operate (within license limitations).

Or you may want to match a skilled operator and one who wants some experience.

The rig there is the Kenwood 590. It is like the one in the DLARC Station. Antenna is a Cushcraft R-7 on the roof of a tall 3-story building.

I don't think it is really crowded at any given time, but when someone comes by we would like you to offer some information on amateur radio to whatever level their interest is, including making them aware of Monthly Meetings, Field Day, and DLARC license classes. They may make a transmission or more if you feel they can follow your directions, under your supervision, of course. All up to you.

If visitors come by, that's great. If there aren't any or many visitors during your shift, you still have control of the rig to make as many Qs as you wish.

Go to the sign-up sheet, fill in information and send it to the Museum. <http://signup.com/go/wNkozVD> It is fine to have a couple of hams there. I need not be one operator at a time.

The Museum is located near the Steel Stacks, at 602 E. 2nd Street, Bethlehem.

Open 10 am. until 5 p.m.

Wednesdays through Sundays

610.694.6644 **www.NMIH.org**

REFLECTION FROM THE PAST



Field Day 2013 Dave / N3EYT and Evelyn / W3DOY

WORLD WIDE RADIO OPERATORS FOUNDATION ANNOUNCES GLOBAL DIGITAL DX CONTEST

The World Wide Radio Operators Foundation (WWROF), in collaboration with the Slovenia Contest Club (SCC), has announced the World Wide Digi DX Contest (WW Digi), which it hopes will become an annual event. The inaugural running of the 24-hour contest will take place on August 31 – September 1. The new contest aims to tap into the enthusiasm being generated by the new digital modes pioneered by Joe Taylor, K1JT, and the *WSJT-X* Development Group. Participants will use FT4 and FT8 on 160, 80, 40, 20, 15, and 10 meters. The WW Digi will utilize a distance-based scoring system, with participants earning points based on the distance between grid square centers of the two stations in a given contact.

"This will encourage operators to seek out long-distance, weak-signal contacts that highlight the technical advantages of the new digital modes," WWROF's announcement said.

To encourage activity across all bands, each new two-character grid field contacted on each band will be a multiplier. The final score will be the product of total contact points and grid field contacts. Single-operator and multioperator entries are invited to take part.

"The contest has been designed to enable making contacts utilizing standard *WSJT-X* software behavior, making it easy for non-contesters to participate," the announcement said. "At the same time, the contest supports some new techniques that will encourage operating innovation, such as permitting stations to work up to three 'QSO streams' on a band at one time. Robotic operation is specifically prohibited in order to keep the human element as part of the game."

Plaques will be awarded to top scorers. (Contact WW Digi Contest Director Ed Muns, W0YK, to sponsor an award.) Downloadable electronic certificates will be available for anyone who submits a log. WWROF plans to have results available within 90 days of the contest's conclusion.

WWROF is dedicated to improving the skills and fun of Amateur Radio operators around the world by utilizing education, competition, advancement of technology, and scientific research, promoting international friendship and goodwill. It is a nonprofit, donor-supported organization.

ARISS NEXT-GENERATION RADIO SYSTEM COMPLETES CRITICAL FLIGHT CERTIFICATION TESTS

The Amateur Radio on the International Space Station (ARISS) next-generation Interoperable Radio System (IORS) successfully completed a battery of stress tests, required as part of the final certification of the hardware for launch to and operation on the International Space Station (ISS). The IORS consists of a JVC Kenwood D710GA transceiver and the AMSAT-developed Multi-Voltage Power Supply (MVPS). In early July, the equipment successfully completed a series of electromagnetic interference/electromagnetic compatibility (EMC) tests to ensure that the ARISS hardware will not interfere with ISS systems or other payloads.

The IORS also successfully passed power quality and acoustics testing, which verified that the ARISS IORS will not introduce harmful signals back into the ISS power system and is quiet enough to meet ISS acoustic requirements. ARISS Hardware Team members Lou McFadin, W5DID, and Kerry Banke, N6IZW, were at NASA's Johnson Space Center to support the 2-week battery of tests in concert with the NASA test and certification team.

"Since the IORS is being qualified to operate on 120 V dc, 28 V dc, and Russian 28 V dc, as well as transmit on VHF or UHF, a lot of test combinations were required to cover all cases," Banke said. "Each input voltage type was also tested at low, medium, and high line voltage. Moreover, additional permutations were required to test the IORS under no load, medium load, and full load at each voltage level. So it should not be surprising why the tests took 2 weeks to complete."

Successful completion of these tests represents a key milestone in preparing the IORS for launch. ARISS says it now can begin final assembly of the flight units and prepare for their safety certification before launch. ARISS is working toward launch-ready status by year's end.

ARRL SIMULATED EMERGENCY TEST MORE IMPORTANT NOW THAN EVER START PLANNING FOR FALL SET

The main weekend for the 2019 ARRL Simulated Emergency Test (SET) is just a couple of months away. The primary League-sponsored national emergency exercise is designed to assess the skills and preparedness of ARES and other organizations involved with emergency/disaster response. The SET has never been more important than now given the emphasis on training, the Incident Command System (ICS) and emergency management at large.

Local ARES teams and ARRL Sections as a whole will conduct exercises on scenarios and work with served partner entities including local, regional and state emergency management agencies and organizations with which ARRL holds formal memoranda of understanding (MOU) such as the American Red Cross and many others. Although the primary SET weekend is in October, SETs can be scheduled at the local and Section levels and conducted throughout the fall season to help maximize participation.

ARRL Field Organization Leaders -- Section Managers, Section Emergency Coordinators, Section Traffic Managers, District Emergency Coordinators, Emergency Coordinators, and all of their Assistants and Net Managers -- are among those tasked with developing plans and scenarios for this year's SET.

The object of the annual nationwide exercise is to test training and skills and to try out new technologies and methodologies while working with partners to cement relationships in advance of real world need. The resulting networking helps ARES members and leaders get to know their counterparts that they would be working with during actual incidents.

ARRL MEMBER HAD ROLE IN PROMISING RF TREATMENT DEVICE FOR ALZHEIMERS

ARRL member Eric Knight, KB1EHE, played a role in the development of an RF-based Alzheimer's disease treatment that now shows great promise. A study published today in the *Journal of Alzheimer's Disease* following a months-long FDA clinical trial of the treatment protocol concluded that memory decline in most patients "appeared to have been reversed to cognitive levels equivalent to 12 months earlier" after 2 months of treatment. The clinical trial concluded last December 31 and focused on the initial efficacy of what NeuroEM Therapeutics, Inc. — the company developing the device — calls "transcranial electromagnetic treatment" (TEMT), using a noninvasive head-worn device called the MemorEMO. "Results from the trial demonstrate that TEMT was safe in all eight participating patients with mild to moderate Alzheimer's disease, and enhanced cognitive performance in seven of them, as measured by standard cognition scales," said a news release from NeuroEM Therapeutics. Seven of the eight clinical trial patients agreed to take part in a 4-month extension study, based on the findings and the positive feedback from all participants.

"This pioneering study suggests that TEMT may be an entirely new therapeutic intervention against Alzheimer's disease," said NeuroEM CEO Dr. Gary Arendash. "Our bioengineering technology may be succeeding where drug therapy against this devastating disease has thus far failed. TEMT appears to be affecting the Alzheimer's disease process through several actions directly inside neurons (brain cells), which is where we believe the disease process needs to be stopped and hopefully reversed." Dr. Amanda Smith, Director of Clinical Research at the Byrd Alzheimer's Center and Research Institute at the University of South Florida Health — the clinical center for the study — coauthored the study. Arendash has explained that TEMT in the 900 MHz range breaks down the small protein aggregates (amyloid oligomers) in brain cells that are thought to initiate Alzheimer's development.

Knight, of Unionville, Connecticut, is the president of Remarkable Technologies. He has no medical background, but several years ago, he learned of experiments that Arendash had carried out on mice specially bred to have Alzheimer's disease, in which the mice were exposed to low levels of RF for therapeutic purposes. The effects were dramatic, sometimes even reversing the disease's effects. Borrowing some concepts from earlier experiments with small rockets and avionics, Knight set about developing — and later patenting — a wearable device that could deliver requisite low levels of RF to a human head. NeuroEM was also developing a device, which it patented as well, and NeuroEM has filed multiple patents since then, Knight explained to ARRL. NeuroEM has an exclusive license to Knight's patent, and his contribution is now part of the overall mix of applied technology.

As Arendash told ARRL for a March 2018 article in QST, TEMT also dramatically increases the very low energy production of Alzheimer's-diseased brain cells by enhancing their mitochondrial function. Arendash said mitochondrial dysfunction is an early and critical event in the development of Alzheimer's. This further leads to a general increase in brain activity. Going too high in frequency won't penetrate the brain; go too low and the RF passes right through, Arendash said. "The combination of all three — a 'cocktail,' if you will — we believe stands a very good chance of working," Arendash told ARRL.

"As an inventor and entrepreneur, all you can hope for is to have a positive impact on society, and this is about as important as it gets," Knight told ARRL. "It's truly the most important and proudest moment of my professional life."

QCWA BULLETIN

Registration Of QCWA Logo

The QCWA Board wish to announce the Old Man QCWA logo is now registered with the USPTO.

The Quarter Century Wireless Association, Inc. has marked a milestone with the Official Registration of our iconic logo. We received the Certificate of Registration on July 23, 2019.

<http://tmsearch.uspto.gov/bin/showfield?f=doc&state=4802:zeh9wi.2.1>

The process of registering the QCWA logo has taken almost 2 years to complete. Our thanks go to QCWA Member Robert Famiglio, K3RF of Famiglio & Associates for processing our application through his Professional Services. Without Robert's assistance we may not have achieved everything we asked for.

You will now see the revised logo with the ® mark on all of our literature and Website.

- QCWA Website Now Secure

We proudly announce that all QCWA platforms on the Internet now have a secure certificate. While surfing the QCWA home page and Members only Web page, your browser will now display the address beginning with https:// (the s stands for 'secure'). You will also note the 'locked' padlock symbol in your browser address bar.

QCWA thanks Howard Cunningham, WB5DBC for providing the secure certificate and server gratis for QCWA. And further to preparing all web pages to allow the secure certificate, Webmaster Bob Roske, NØUF spent many hours modifying the thousands of pages on the QCWA Website. Overall, we owe a special thanks to Howard for providing and moving all QCWA web presence to his new server, and to Bob for changing thousands of lines of new code to allow for the secure sites.

QCWA Names Bob Roske, NØUF President Emeritus

The QCWA Board of Directors has elevated past President Bob Roske, NØUF to status of President Emeritus.

The distinguished title of Emeritus status is reserved to honor a president who has provided outstanding and distinguished service to QCWA which goes beyond the normal duties and responsibilities of the appointment, and which have had extraordinary impact on QCWA and/or a broader community.

Roske joins the following QCWA President Emeriti; John DiBlasi, W2FX (SK 1981) - Emeritus 1964; Leland W. Smith, W5KL (SK 2004) - Emeritus 1989; Lewis G. 'Mac' McCoy, W1ICP (SK 2002) – Emeritus 1996; Harry J. Dannals, W2HD - Emeritus 2010.

- New Chartered Chapter 230 - (Cahaba) Alabama

The QCWA Board of Directors take great pleasure in announcing unanimous approval of a new QCWA Chapter 230 (Cahaba) Alabama.

Interim Chapter President Ken Moore, AB4WL is anxious to get the new chapter going. A group of them are planning to have a QCWA Booth at Huntsville, AL Hamfest this coming August 17 & 18.

If you would like further information, you can contact Ken <ab4wl@yahoo.com>

The QCWA Board congratulates Chapter 230 (Cahaba) Alabama and wishes the members much success in their future endeavors.

73,

Ken Oelke, VE6AFO

President, Quarter Century Wireless Association, Inc.

SHORTENED ANTENNA FOR THE 160-METER BAND

Aleksandr Simuhin / RA3ARN

At my QTH I had no space for full sized dipole antenna for the 160- meter. So what I may install there it was only a shortened antenna. After dig out in the internet and books and tried out different antennas at my location I found the antenna that works for me.

The antenna was made in 2008. Several years in the Air on the 160- meter Band with the antenna and 15- watts TX gave good reference for the antenna. **Figure 1** shows the Shortened Antenna.

Design of the antenna: It is symmetrical antenna. However it is possible to make asymmetrical one. Antenna may be installed in line similar to usual dipole antenna or may be installed similar to I.V. Antenna.

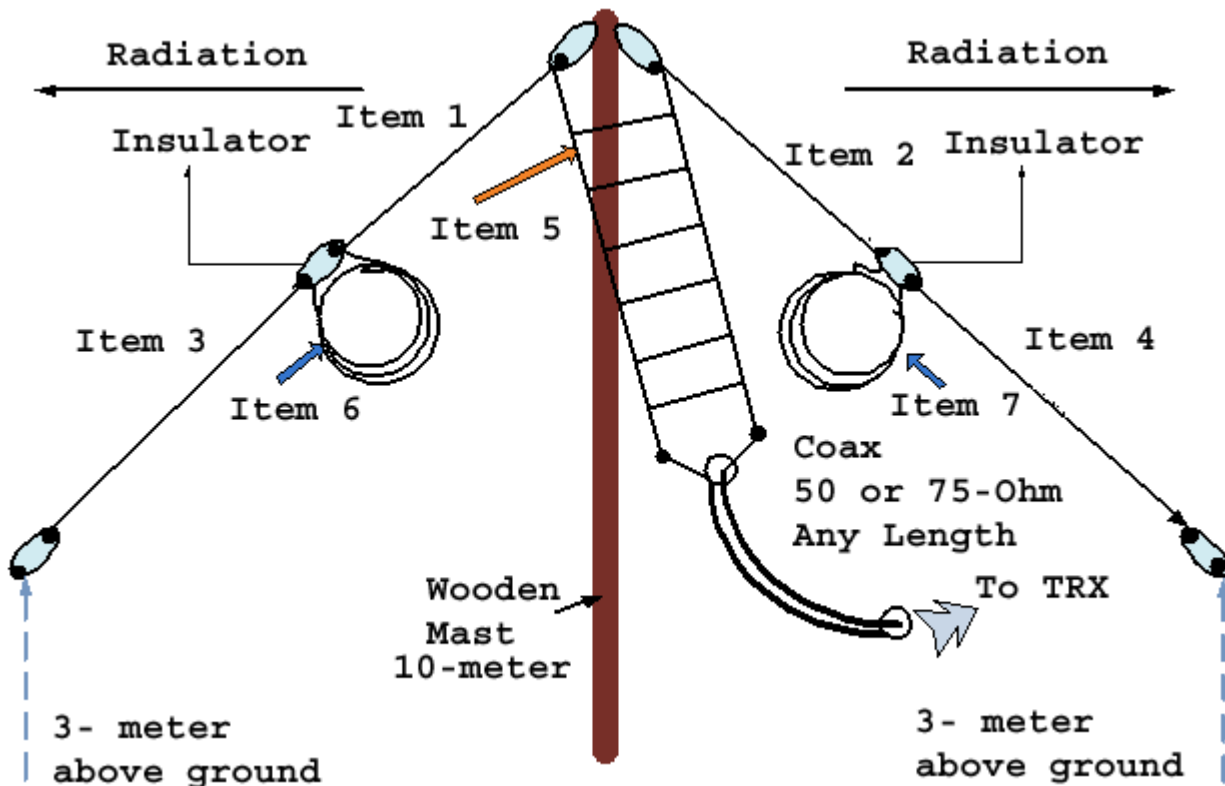
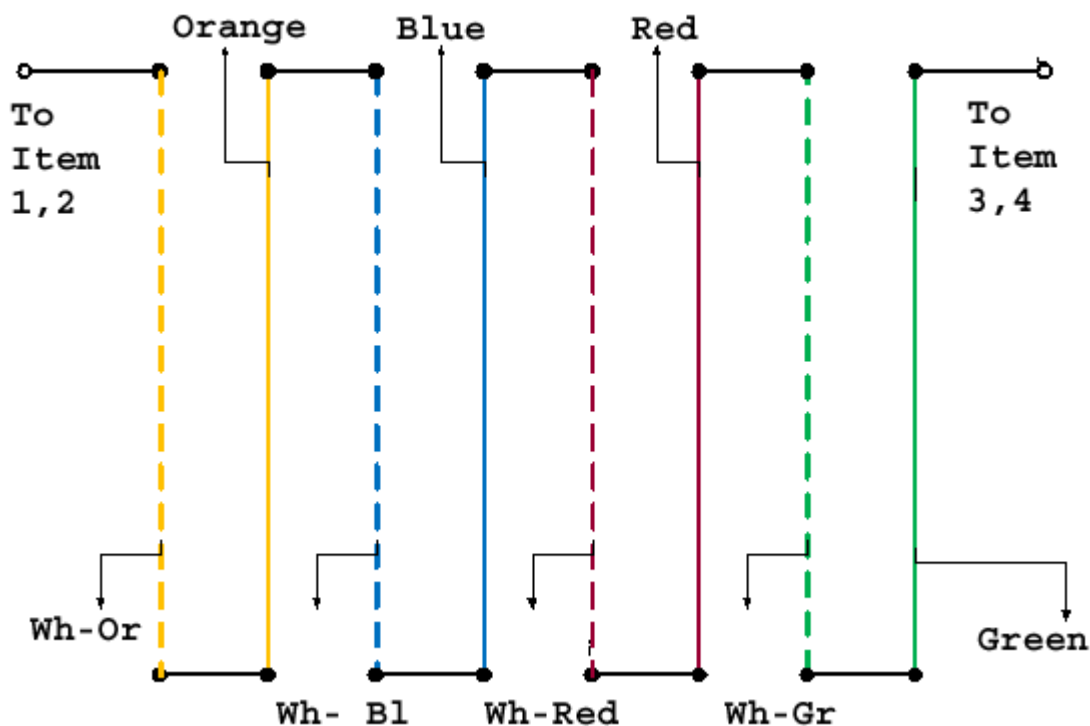


Figure 1 Shortened Antenna for the 160- meter Band

Figure 1 Shortened Antenna for the 160- meter Band

RA3ARN installed the antenna similar to I.V. antenna. It was used 10-meter wooden mast for the antenna. Lower ends of the antenna were at 3- meters above the ground. Antenna has two wires *item 1* and *item 2* with constant length 11- meter each. Length of the wires *item 3* and *item 4* may vary from 18 to 15- meters when antenna is tuned up. Antenna is matched with a coaxial cable with help of a length of a two wire open line *item 5*. It is 450- Ohm open line in length 12.5- meters. Coaxial cable 50 or 75- Ohm may be used to feed the antenna.

Antenna is lengthened with help of coils *item 6* and *item 7*. The coils made from length of an Ethernet Cable, 17 meter each. RA3ARN used Ethernet Cable with mark on it: NEXANS UTP KATEGOR 5E TIA 568-5EC VERIFIED 11168 4PR 24AWG SU3505. Almost any 4- pair Ethernet Cable may be used for the coils. **Figure 2** shows diagram of the coil. All twisted pairs are connected in serial. Then the cable was coiled in a hank of 40- cm diameter. Soldered ends were protected from weather conditions with help of a thermo- shrink tube.



Overall length of the half of the dipole antenna is 164 meters. Overall length of the all dipole antenna is 328 meters. Antenna had SWR 1.08 at 160 meters. Second resonance was at 20 meters with SWR 1.5 within 40- kHz. Antenna may be tuned to another amateur's bands with help of a simple ATU.

Antenna worked fine for several years. It was used 15- Wtts at the 160- meter and 800- Wtts at the 80-40- and 20- meter Bands. Used the method of the shortening it is possible to remake almost any wire antenna. For example, existing I.V. for the 80- meter may be easy turned on to a multi- band antenna.

RACES EMERGENCY REQUIREMENTS

As of

September 2006, NIMS IS-700 and ICS-100 course certifications are required in order to receive the county issued photo IDs. The photo IDs are required by federal law for participation in, on site RACES emergency operations. These courses can be taken on line by going to www.fema.gov and following the directions. These requirements are not needed to participate in the weekly Wednesday nets. The only requirement for these nets is a valid amateur radio license and an interest in emergency communications

MUSEUM INFORMATION

Dean Guth, AB3BD, reminded members that National Museum on the Air Day is Sept. 21st. The National Museum of Industrial History has invited us to participate, either at your home station, the Club station, or at the museum. The museum will use the call sign N3M and has designed a special QSL card for the event. The Museum will be open from 9 a.m to 6 p.m.

DLARC COMMITTEE CHAIRPERSONS

Education – Bob / KE3AW	Membership – Terry / KC3JHT
Public Information Officer – Bob / KE3AW	V.E. Coordinator - John / NT3P
Newsletter Editor – Don / KC3II	Nominating Committee – John / NP3T
Field Day – Jim / KC3MKP	Programs – Evelyn / W3DOY
Social Activities – Doreen / K3PDL	PA QSO Party – Les / W3LES
Station Trustee – Barry / N3NVA	County EC – George / N3SQD
Web Master – Rich / WC3T	Christmas City – Dave / N3EYT
RFI Committee – Ben / KB3CTX	Awards – Terry / KC3JHT
Wednesday Net Manager – Don / KC3II	Newsletter Circulation – Paul / N3YNT

These are the various chairpersons of the DLARC. If you are interested in any of these groups contact the chairperson listed above.

F.Y.I.

The October Program will be **“Elections and Awards” – John / Nt3P and Terry / KC3JHT**

The D.L.A.R.C. meets the “FIRST” Thursday of each month. Membership, friends and interested persons meet at the Bethlehem Township Community Center, 2900 Farmersville Road, Bethlehem, Pa. 18020 at 7:30 PM. Committee reports and announcements of all present and future activities will be presented at that time. Followed by that month’s program.

NORTHAMPTON COUNTY ARES, RACES AND DLARC NET

All Radio Amateurs are welcome to participate in the ARES, RACES and DLARC net. This net meets Wednesday at 1900 hours local time, on the W3OK Repeater 51.76, 146.70 and 444.90 (pl 151.4). With an alternate frequency of 147.350 (DCS 315) W3OI Repeater.

QCWA Chapter 17 holds a net Monday evenings at 8:30 PM on 3960 +/- depending on conditions. Other inputs are the 146.85 repeater, (151.4 PL) and Echolink at K2PM-R.

Mid-Atlantic D-Star Net meets each Tuesday at 7:30 PM. The following repeaters Dstar repeaters are available in the Lehigh Valley. W3OK -145.11000MHz -0.600 Port C – W3OI -147.16500MHz +0.600 Port C, – W3OI - 445.02500MHz -5.000 Port B All repeaters on the net are linked through **Reflector 020 port A**, so all stations checking into the net should make sure that they have *their local repeater call sign followed by the letter “G” in the eight position of the RPT2 field*. Otherwise, you will only be heard locally and not over the Reflector. Dongle users wishing to check into the net should Log On by connecting directly to Reflector 20, port A, rather than through your local repeater in order to conserve local bandwidth.

The OK Corral is an organization publication for the purpose of informing members of the D.L.A.R.C. of educational and training opportunities, club events, relevant news articles and a monthly calendar of daily activities, meetings and dates.

**EXECUTIVE COMMITTEE 2018 – 2019
OFFICERS**

President – Stephanie Koles / WX3K ----- president@dlarc.org
Vice President – Bill Connelly / W3MJ ----- vicepresident@dlarc.org
Secretary – JoAnn Schaffer / ND3JJ ----- secretary@dlarc.org
Treasurer – Mike Gower / KB3LOD ----- treasurer@dlarc.org

BOARD of DIRECTORS

Gabe Lantos / KZ2A ----- gpl-3639@gmail.com
Dean Guth / AB3BD ----- babydean1@hotmail.com
Les Morrow / W3LES ----- lesterf52@gmail.com
Steve Harper / W3NAM ----- sharper3152@gmail.com
John Barbaz / NT3P ----- nt3p@arrl.net
Skip Paulsen / W1PV ----- flathead@rcn.com

**PHONE NUMBERS FOR THE EXECUTIVE COMMITTEE OF THE DLARC
CAN BE FOUND ON THE WEBSITE / MEMBERSHIP LISTING
CLUB MEETINGS**

All regular meetings of the D.L.A.R.C. Are held on the first Thursday of each month at 7:30 PM at the Bethlehem Township Community Center

TALK IN ON 146.700 (PL 151.4)

Club Station Telephone Number – 484 291-1527 Email Address – w3ok146700@gmail.com

THE W3OK TRUSTEE --- Barry Vogt / N3NVA

**The W3OK Corral is published monthly and is the Official Publication of the
DELAWARE LEHIGH AMATEUR RADIO CLUB INC.**

**14 Gracedale Avenue
Nazareth, Pa. 18064-9211**

THE NEWSLETTER STAFF

Editor – Don Holmes / KC3II ----- editor@dlarc.org
Web Master – Rich Hurd / WC3T ----- rich@wc3t.us
Circulation – Paul Morrison / N3YNT ----- n3ynt@aol.com
Photographer – Dave Blankenship / N3EYT ----- n3eyt@arrl.net